

DMX512

Decoder Series



CE RoHS

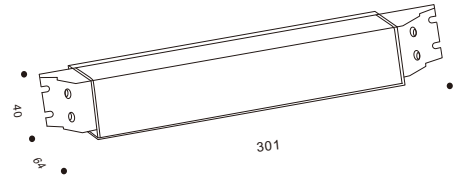
Specifications

Model:	DE8239-3/4CH		
Input:	AC110-240VAC	Max output Power:	100W
Max current Load:	700mA*3/4CH	Signal Input:	DMX512/1990
Control channels:	3/4CH	Output Voltage:	5~48VDC/36VDC(3/4CH)
Protection Grade:	IP20	The light gray level:	256
Gross Weight:	510g	Work Temp.:	-30°C~70°C

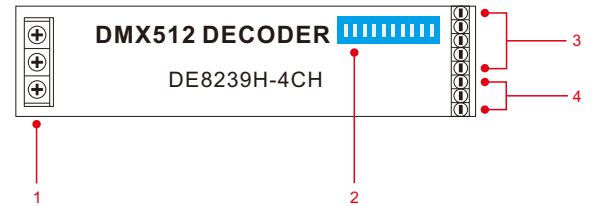
Basic Features

- Meets DMX512/1990.
- 256-levels brightness, full-color with driver controls.
- Power no explosive flash, high-frequency output, low jitter.
- Output 4 channels. MAX 700mA per channel.
- Setting the DMX address freely.

Dimensions



Component Diagram



1. Power Input Socket
2. Address Dip Switch
3. LED lamps Connection Socket
4. DMX Signal IN/OUT

Product Operation

Self-testing Mode: put all DIP-Switch NO.1 to NO.9 ON full channels output 3 seconds then each color gradient.

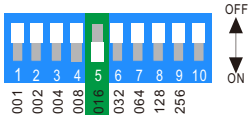


Wiring Diagram

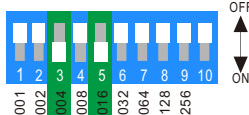
How to set DMX address via DIP switch:

DMX address value = the total value of (1-9) to get the place value when in "on" position otherwise will be 0.

E.g. 1 : Set Initial Address to 16.

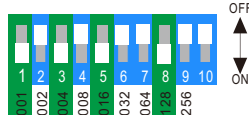


E.g. 2 : Set Initial Address to 20.



004+016=20

E.g. 3 : Set Initial Address to 149.

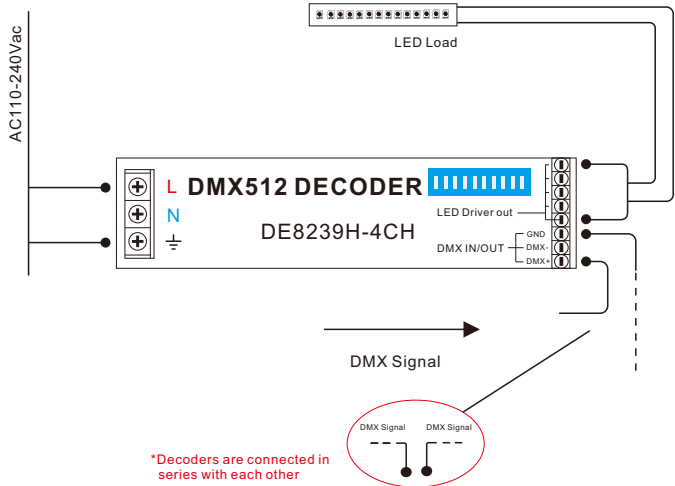


001+004+016+128=149

DMX Dimming Instruction:

Each DE8239H-4CH DMX decoder occupied 4 DMX addresses when connecting the DMX console. E.g., the defaulted initial address is 1, please find their corresponding relationships in the form.

DMX Console	DMX Decoder
CH1 0-255	CH1 PWM 0-100% (LED R)
CH2 0-255	CH2 PWM 0-100% (LED G)
CH3 0-255	CH3 PWM 0-100% (LED B)
CH4 0-255	CH4 PWM 0-100% (LED B)



*An amplifier is needed when more than 32 decoders are connected, signal amplification should not be more than 4 times continuously.

*At the end of the wiring, we should connect a DMX signal finalizer (Put ON the switch no.10 of DE8239-4CH dial).

Suitable lamps and lanterns

